

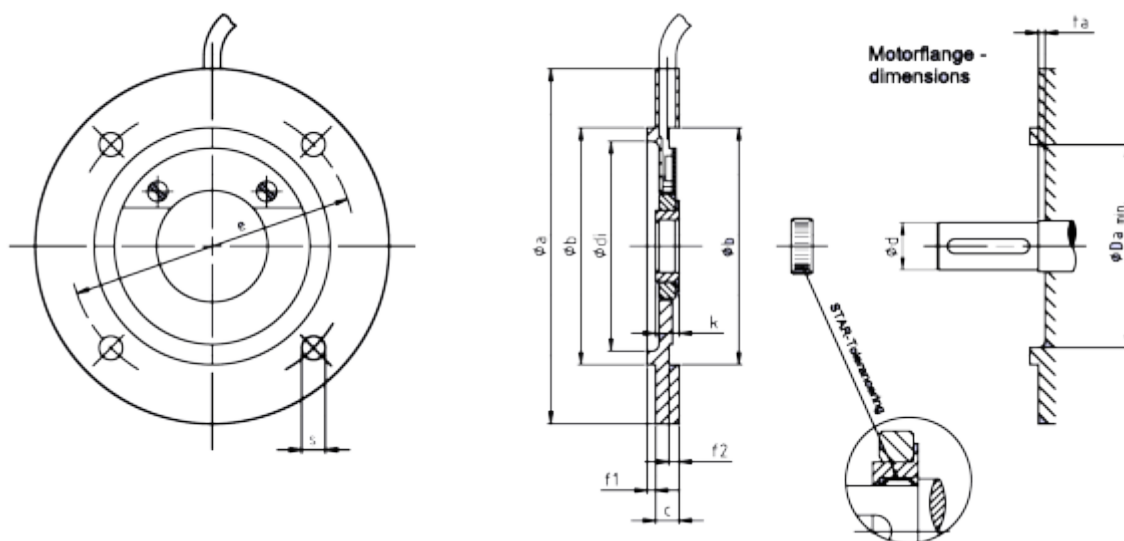
Data Sheet



Article number: 7806162801000050

Description: BEGE flangeencoder MN 160-28-010095
100 pulses 5-24Vdc, 5mtr cable, f100/112B14

Measures



a = 160	f2 = 4.0
b = 110	k = 9
c = 9	s = 9
d = 28	ta = 3
Da = 90	
di = 102	
e = 130	
f1 = 3.5	